

# EMI/EMC FILTER

## TB4



### Features

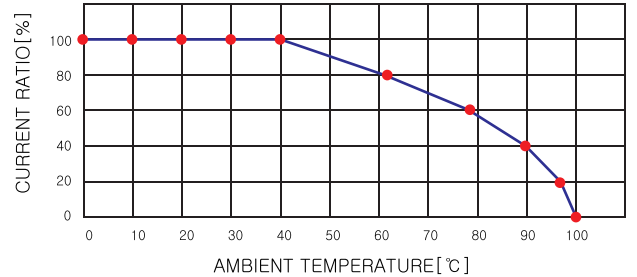
- 3 phase 4 line, 1 stage filter
- Good shield effect by using metal case
- Excellent filtering characteristics for both differential mode and common mode
- Safety approval : KC

### Applications

- Industrials equipment such as electric car charger, CNC machine, machine tool, telecommunication equipments, FA equipment etc.

## Specifications

MODEL	Rated Voltage AC [V]	Rated Current Max. [A]	Operating Temperature
TB4-016G/H	500	16	-25°C to +100°C Including temperature rise  <b>Derating Curve</b>
TB4-020G/H		20	
TB4-030G/H		30	
TB4-040G/H		40	
TB4-060G/H		60	
TB4-080G/H		80	
TB4-100G/H		100	
TB4-120G/H		120	
TB4-150G/H		150	
TB4-200G/H		200	
TB4-250G/H		250	



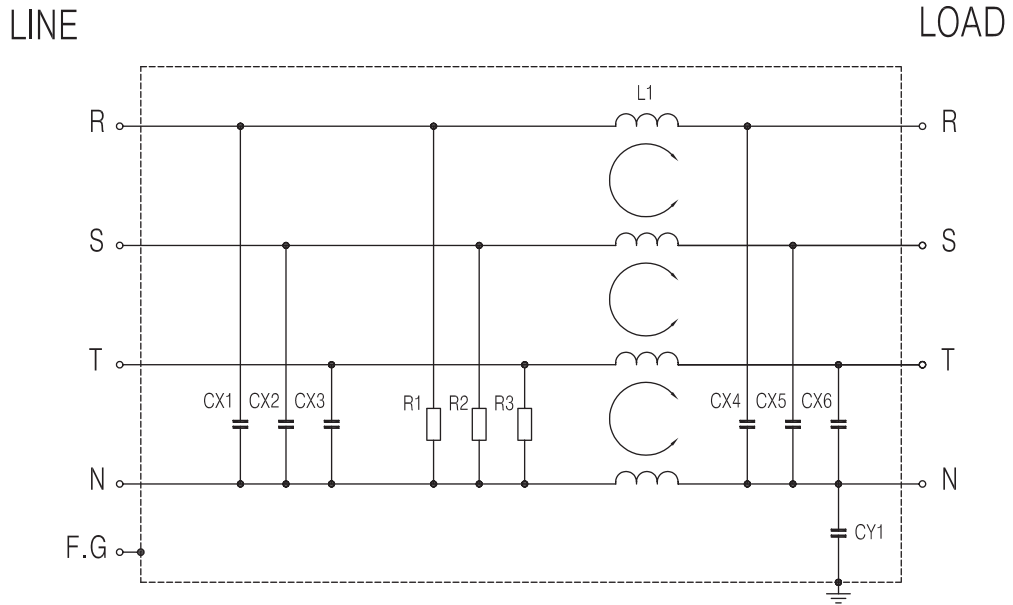
Note

Withstand Voltage: 2800V DC for 1 minute between line and ground  
 Insulation Resistance: 300MΩ minimum at 500V DC, line to ground

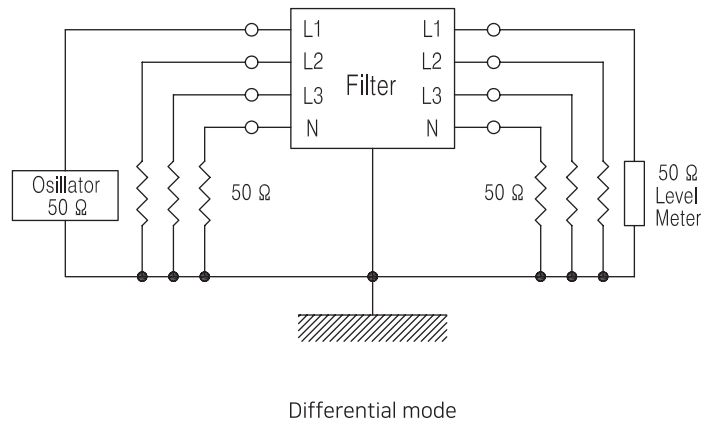
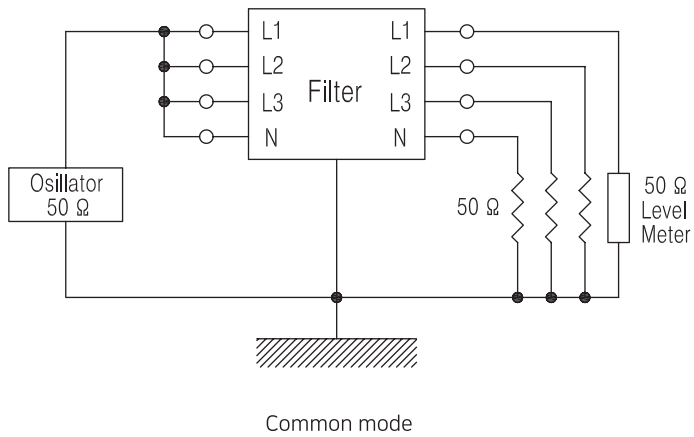
## Model Number Construction

TB4	150	H	Suffix
Series name 3 Phase 4 Line, 1 Stage	Rated Voltage 016 = 16 A 040 = 40 A 100 = 100 A 250 = 250 A	Attenuation Option G = General H = High	Line to Ground Capacitor D = 3,300pF F = 10,000pF R = 235nF (Default Value of TB4-016~030*) V = 1.65uF (Default Value of TB4-040~150*) W = 3.3uF (Default Value of TB4-200~250*)

# Circuit Diagram

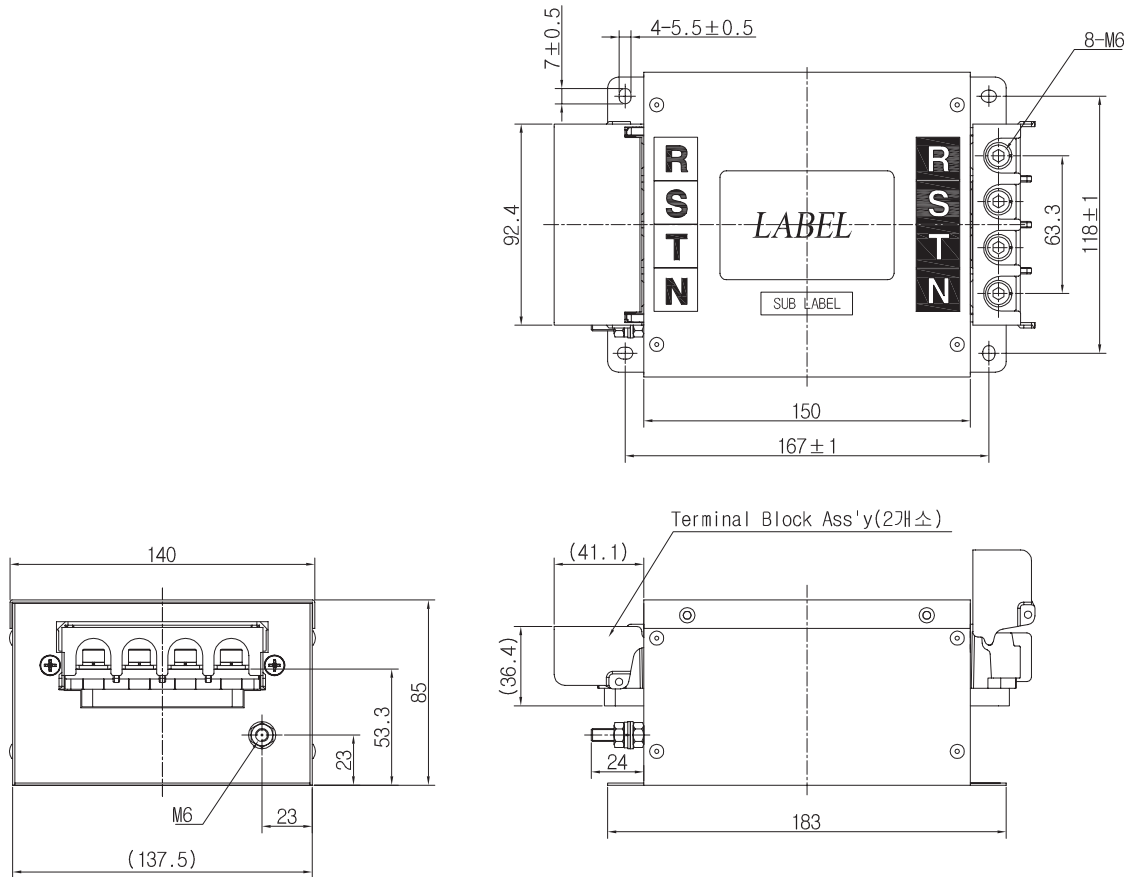


# Measurement Configuration

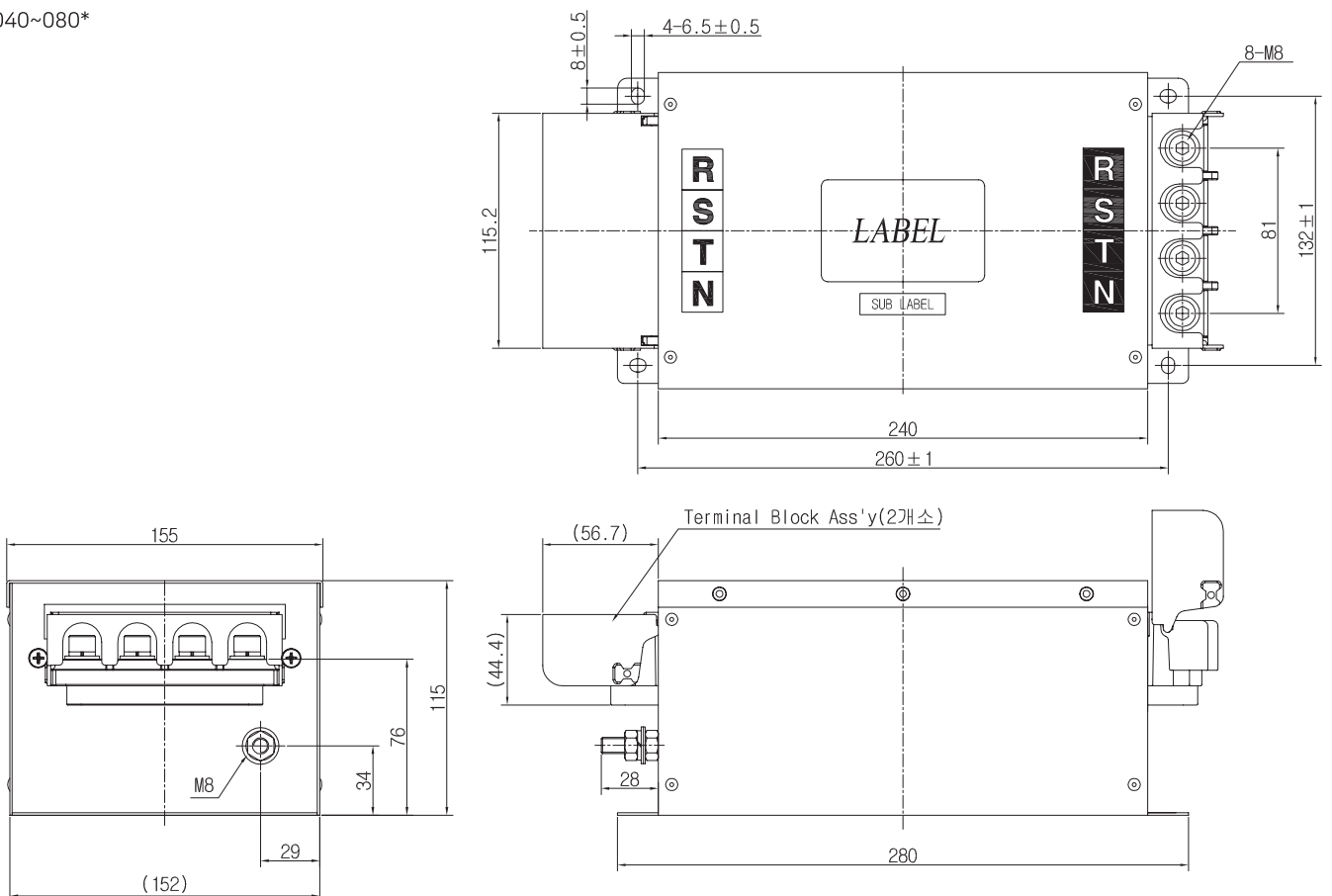


# Shapes and Dimensions

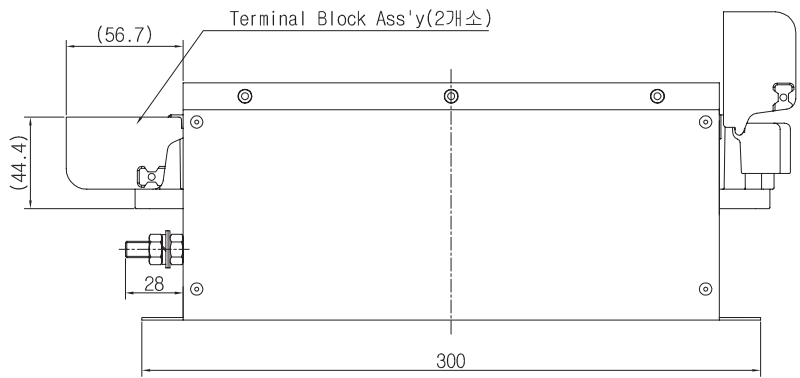
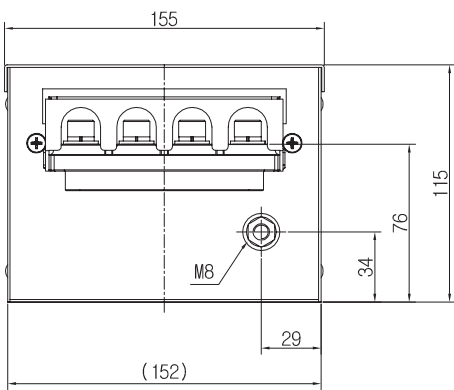
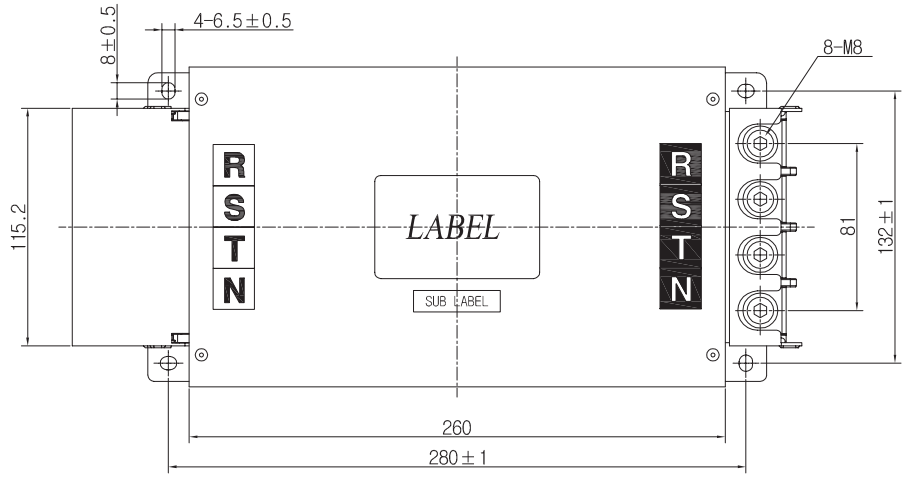
TB4-016~030\*



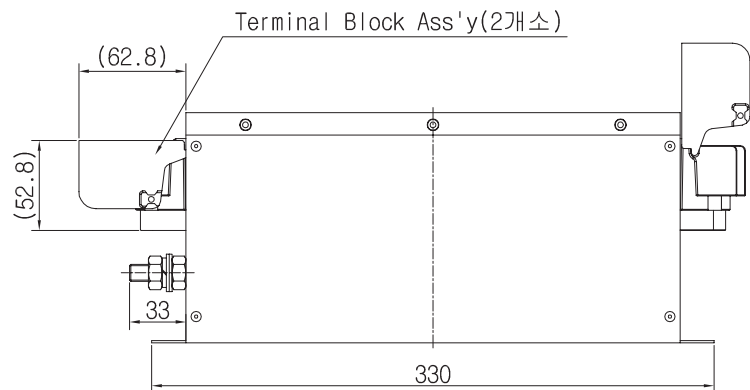
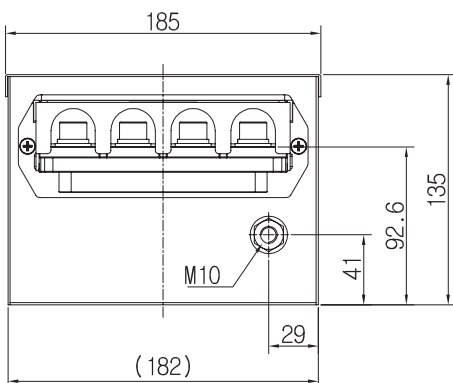
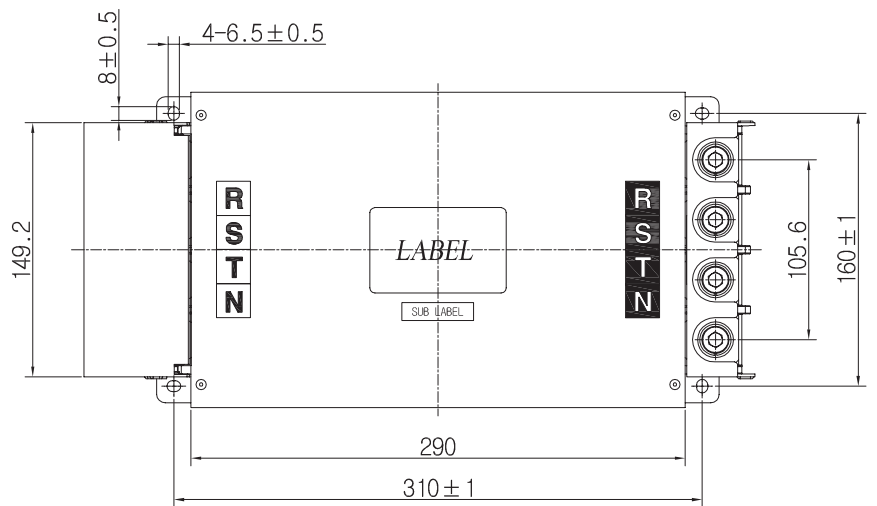
TB4-040~080\*



TB4-100~150\*



TB4-200~250\*

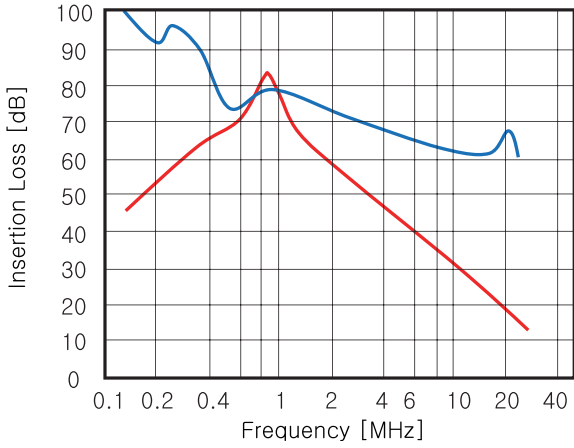


# Attenuation Characteristics

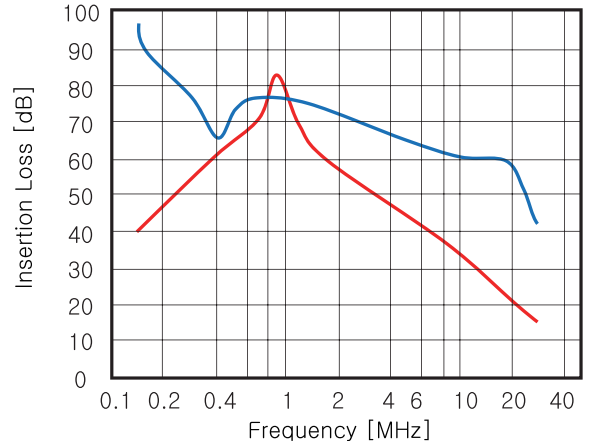
Common mode ( — )

Differential mode ( — )

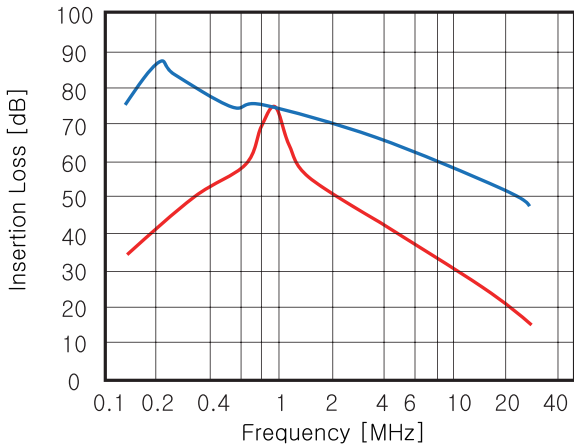
TB4-016G



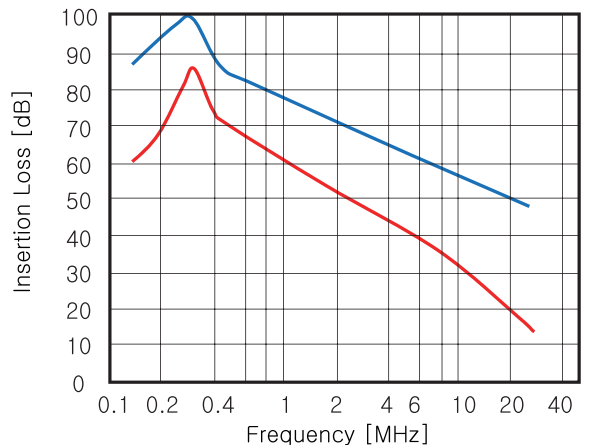
TB4-020G



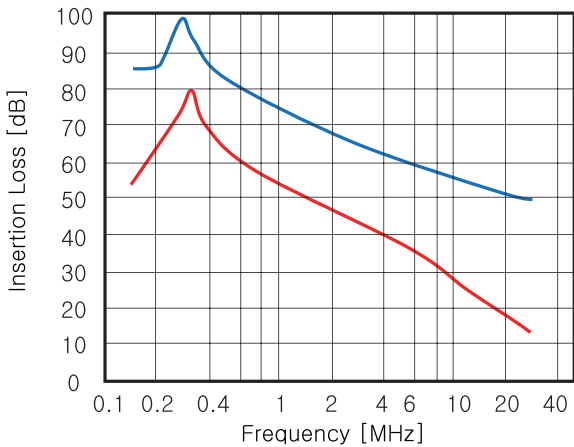
TB4-030G



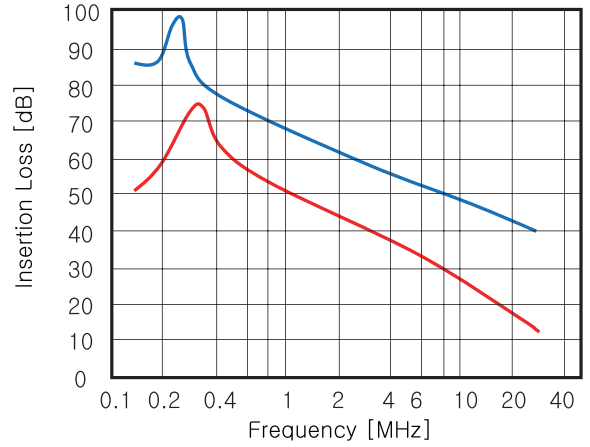
TB4-040G



TB4-060G



TB4-080G

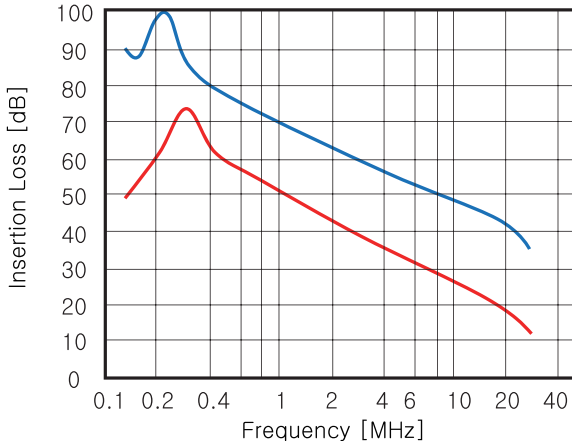


# Attenuation Characteristics

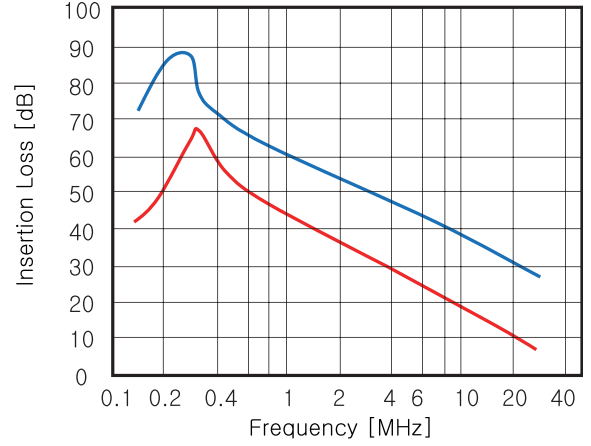
Common mode ( — )

Differential mode ( — )

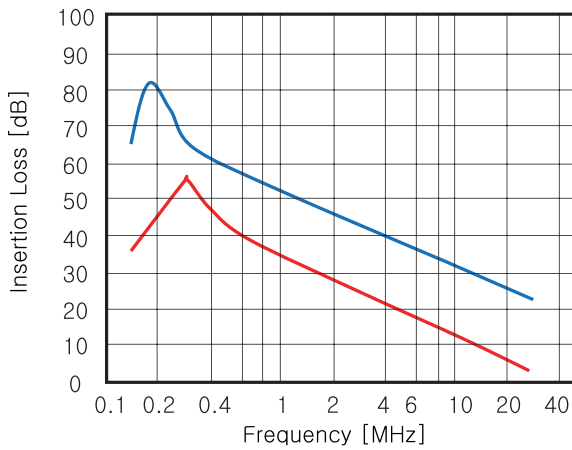
TB4-100G



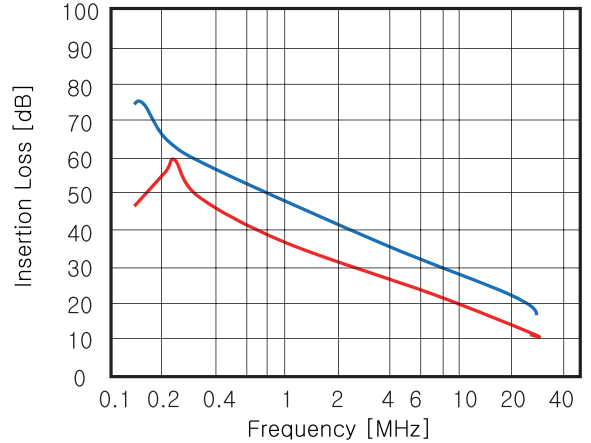
TB4-120G



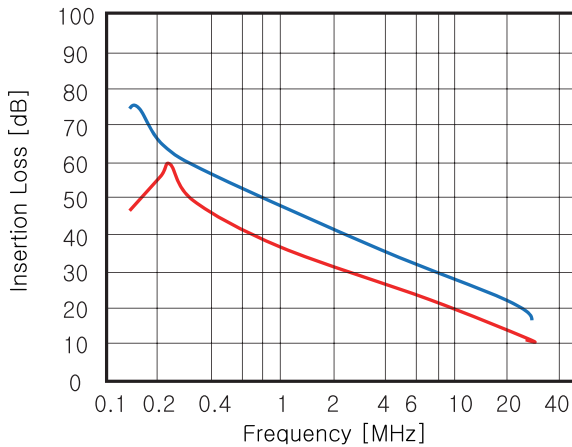
TB4-150G



TB4-200G



TB4-250G

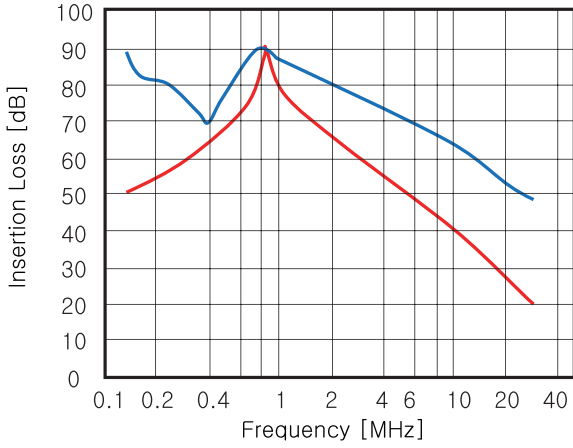


# Attenuation Characteristics

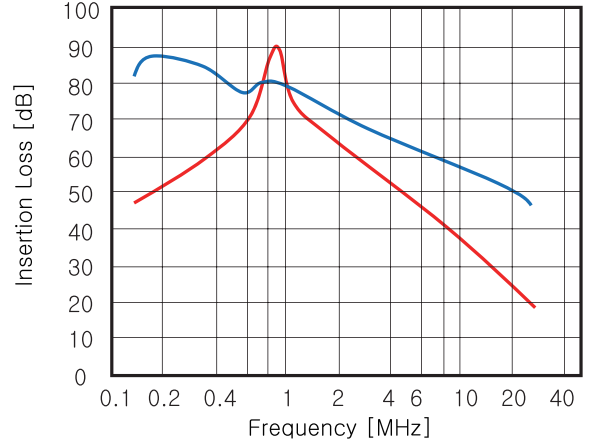
Common mode ( — )

Differential mode ( — )

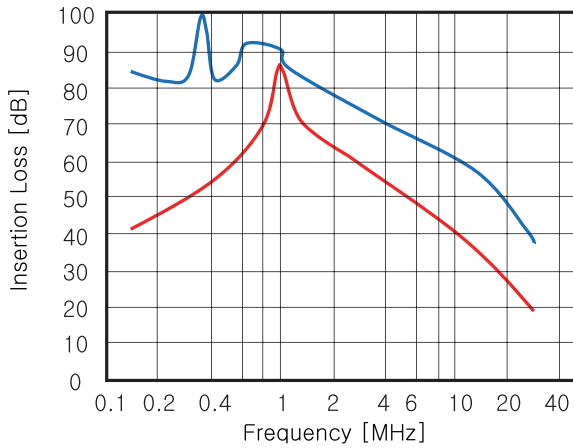
TB4-016H



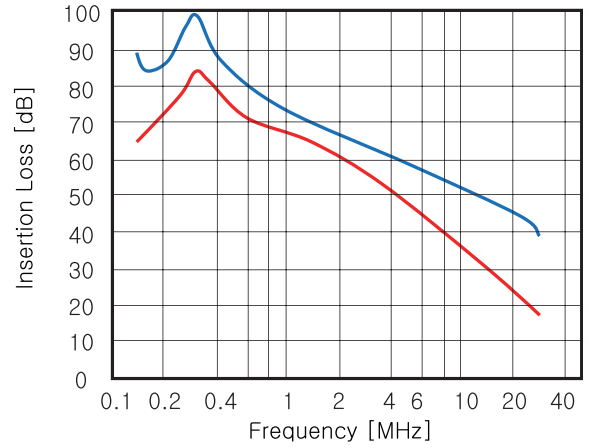
TB4-020H



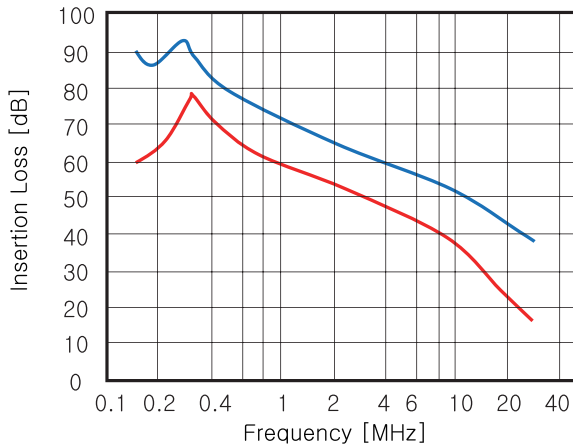
TB4-030H



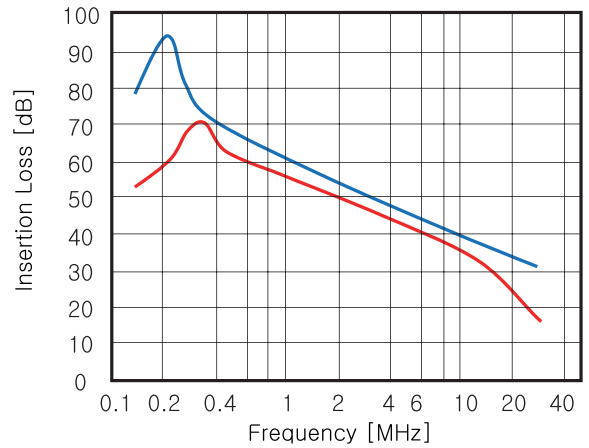
TB4-040H



TB4-060H



TB4-080H

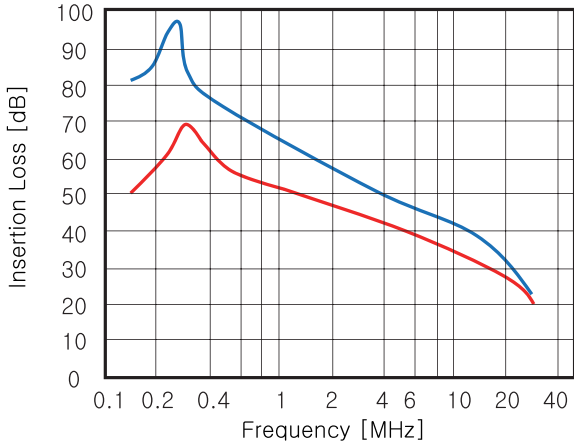


# Attenuation Characteristics

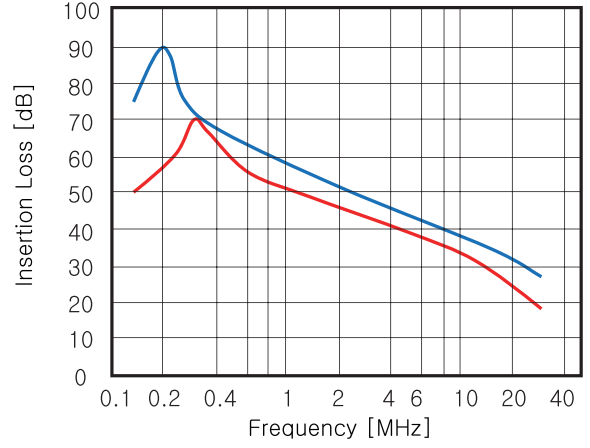
Common mode ( — )

Differential mode ( — )

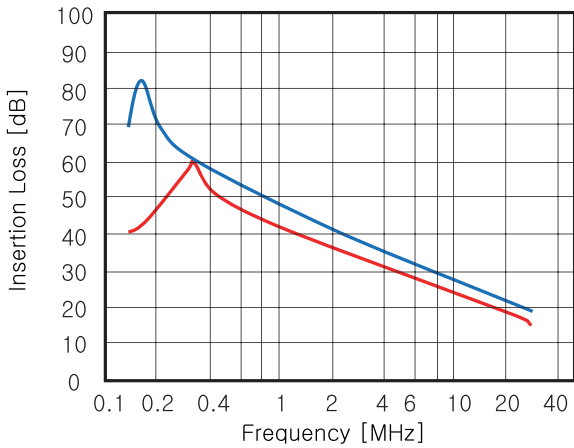
TB4-100H



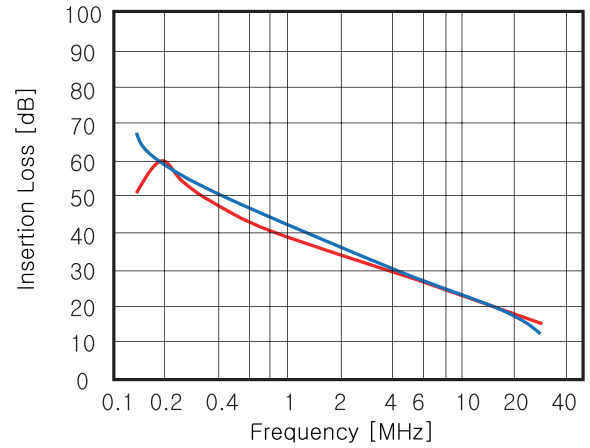
TB4-120H



TB4-150H



TB4-200H



TB4-250H

