

# EMI/EMC FILTER

IX SERIES



## Features

- Ideally suited for products that must conform to part 15, FCC regulations
- Metal cased miniature type with high performance
- Meet over voltage category II of IEC 60664 and comply with IEC 60950
- Uses IEC connector that meets the safety standards from certification bodies
- Soldering Lug, Faston Tab, PCB mounting type are available
- Short length and under tab for small space
- Excellent filtering characteristics for high frequencies
- Earth coil provided

## Applications

- Digital equipments
- Personal computers and peripherals
- Measuring instruments
- For use in miniature equipments
- For monitors and display units

## Specifications

| MODEL          | Rated Voltage (AC, DC) | Rated Current | Leakage Current (250V AC) | Operating Temperature  |
|----------------|------------------------|---------------|---------------------------|--|
| IX-(N)01**-*   | 250V                   | 1A            | -                         | -25°C to +85°C<br>Including temperature rise<br>Derating Curve<br> |
| IX-(N)02**-*   | 250V                   | 2A            | -                         |  |
| IX-(N/L)03**-* | 250V                   | 3A            | -                         |  |
| IX-(N)06**-*   | 250V                   | 6A            | -                         |  |
| IX-(N)**0-*    | -                      | -             | 0.01mA max.               |  |
| IX-(N)**C-*    | -                      | -             | 0.075mA max.              |  |
| IX-(N)**D-*    | -                      | -             | 0.10mA max.               |  |
| IX-(N)**2-*    | -                      | -             | 0.35mA max.               |  |
| IX-(N)**3-*    | -                      | -             | 0.50mA max.               |  |

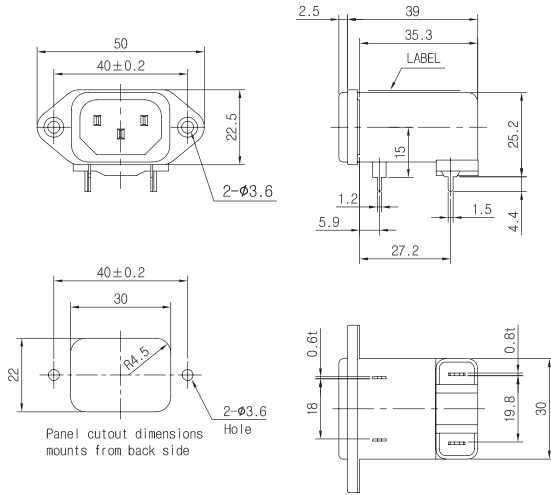
Note  
 Test Voltage : 1500V AC one minute, line to earth  
 Insulation Resistance : 300 Mohm min. at 500V DC  
 Voltage Drop : 1V max. at rated current  
 Weight : 50g  
 Inlet : Compatible with IEC-60320

## Model Number Construction

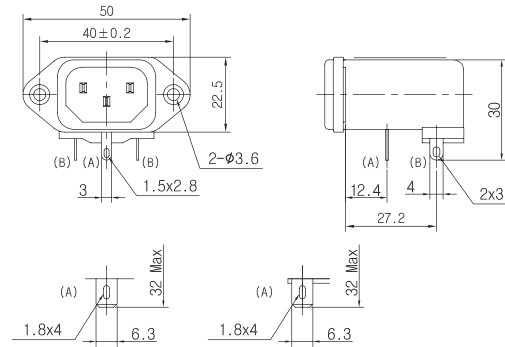
| I                                    | X   | 03   | 4  | 2  | S   |
|--------------------------------------|---|--|--|--|---|
| Input Connector<br>I : IEC Connector | Special Design<br>D : Screw and PCB mounting/Metal Case (With ground choke) | Current Rating : AC rms<br>01,N01 : 1amp<br>02,N02 : 2amp<br>03,N03,L03 : 3amp<br>06,N06 : 6amp<br>("L", "N" high performance) | Line-Line Cap.Value<br>2 : 0.022 µF<br>4 : 0.047 µF<br>A : 0.1 µF<br>B : 0.15 µF | Line-Gnd Cap.Value<br>2 : 2200 pF<br>3 : 3300 pF<br>C : 330 pF<br>D : 470 pF<br>0 : None | Output Terminal<br>P : PCB Pin<br>S : Solder Lug<br>H : Faston Tab #250 |

# Shapes and Dimensions

PCB mounting Type

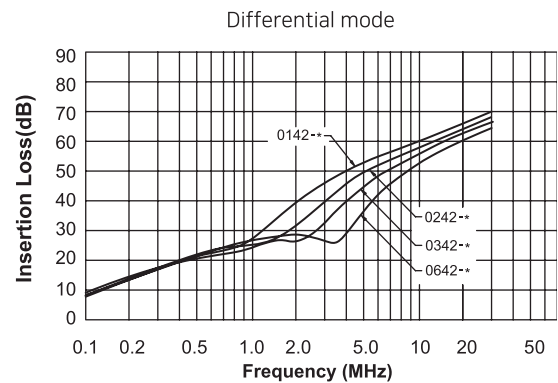
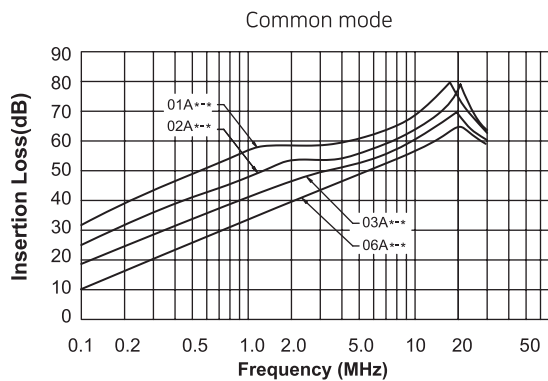
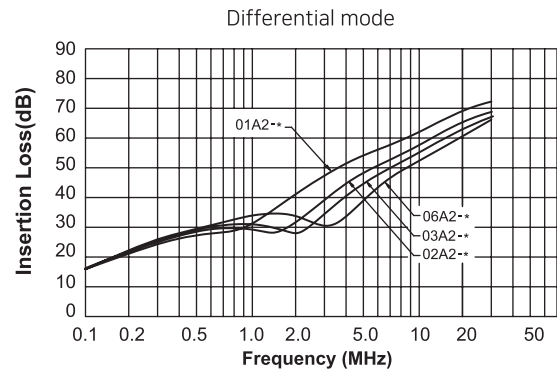
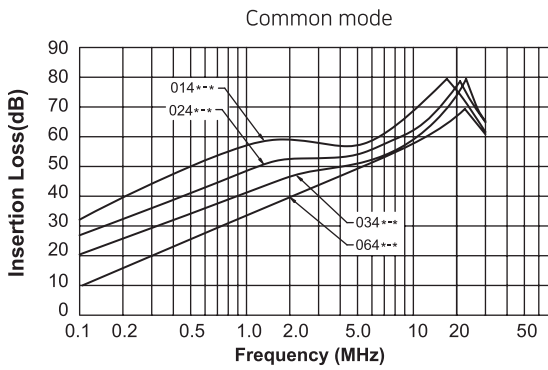


Soldering Lug type

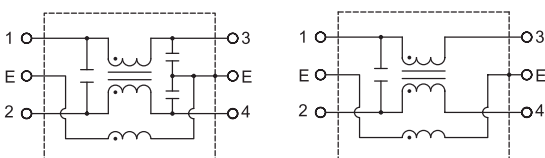


- \* Faston tab type
- \* Unit : mm
- \* General tolerance : ±0.5

# Attenuation Characteristics



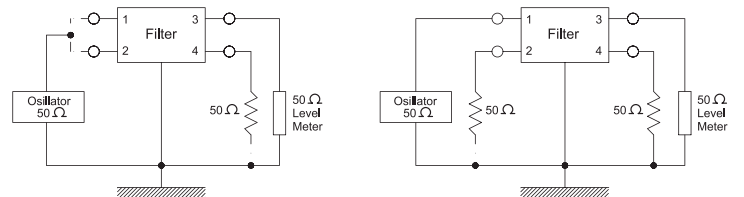
# Circuit Diagram



IX-\*\*\*-\* type

IX-\*\*\*0-\* type

# Measurement Configuration



Common mode

Differential mode