

EMI/EMC FILTER

IJ1 SERIES



Features

- Ideally suited for products that must conform to part 15, FCC regulations
- Metal cased miniature type with high performance
- Meet over voltage category II of IEC 60664 and comply with IEC 60950
- Uses IEC connector that meets the safety standards from certification bodies
- Both soldering lug type and faston tab type are available

Applications

- Digital equipments
- Personal computers and peripherals
- For use in miniature equipments
- For monitors and display units

Specifications

MODEL	Rated Voltage (AC, DC)	Rated Current	Leakage Current (250V AC)	Operating Temperature
IJ1-(N)03**-*	250V	3A	-	-25°C to +85°C Including temperature rise Derating Curve
IJ1-(N)06**-*	250V	6A	-	
IJ1-(N)08**-*	250V	8A	-	
IJ1-(N)10**-*	250V	10A	-	
IJ1-(N)15**-*	250V	15A	-	
IJ1-(N)***0-*	-	-	0.01mA max.	
IJ1-(N)***C-*	-	-	0.075mA max.	
IJ1-(N)***D-*	-	-	0.10mA max.	
IJ1-(N)***G-*	-	-	0.15mA max.	
IJ1-(N)***E-*	-	-	0.20mA max.	
IJ1-(N)***1-*	-	-	0.25mA max.	
IJ1-(N)***2-*	-	-	0.35mA max.	
IJ1-(N)***3-*	-	-	0.50mA max.	

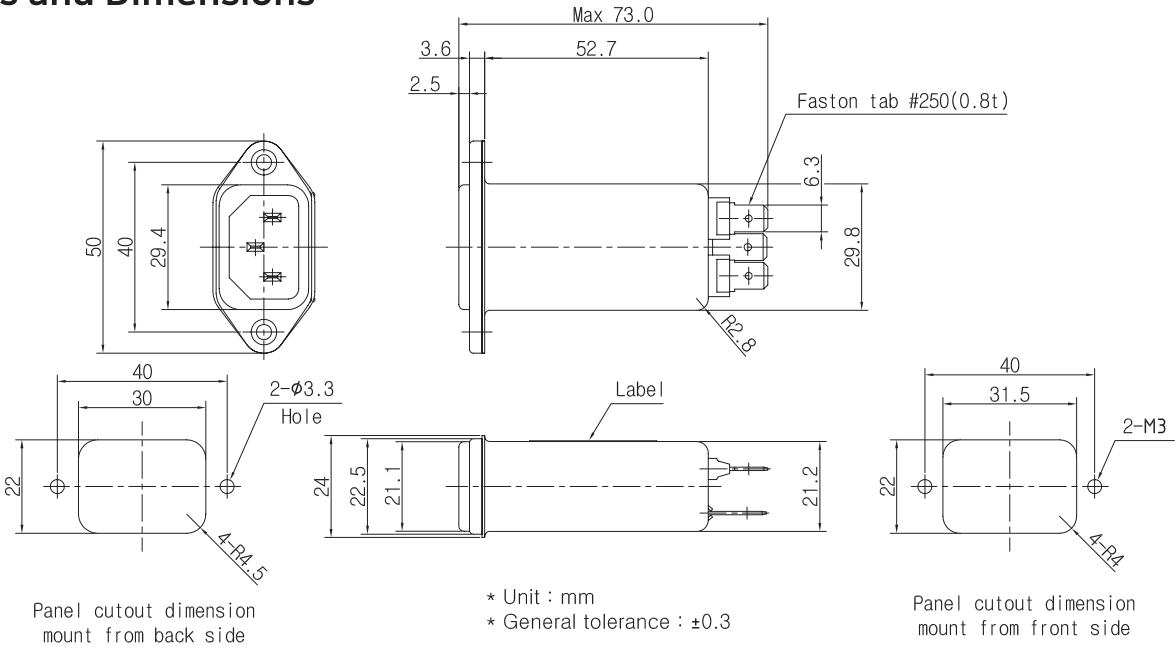
Note

Test Voltage : 1500V AC one minute, line to earth
 Insulation Resistance : 300 Mohm min. at 500V DC
 Voltage Drop : 1V max. at rated current
 Weight : 75g
 Inlet : Compatible with IEC-60320-1, C14
 15A(UL only), The models without a resistor(cCSAus, KC, VDE+ENEC, CQC only)

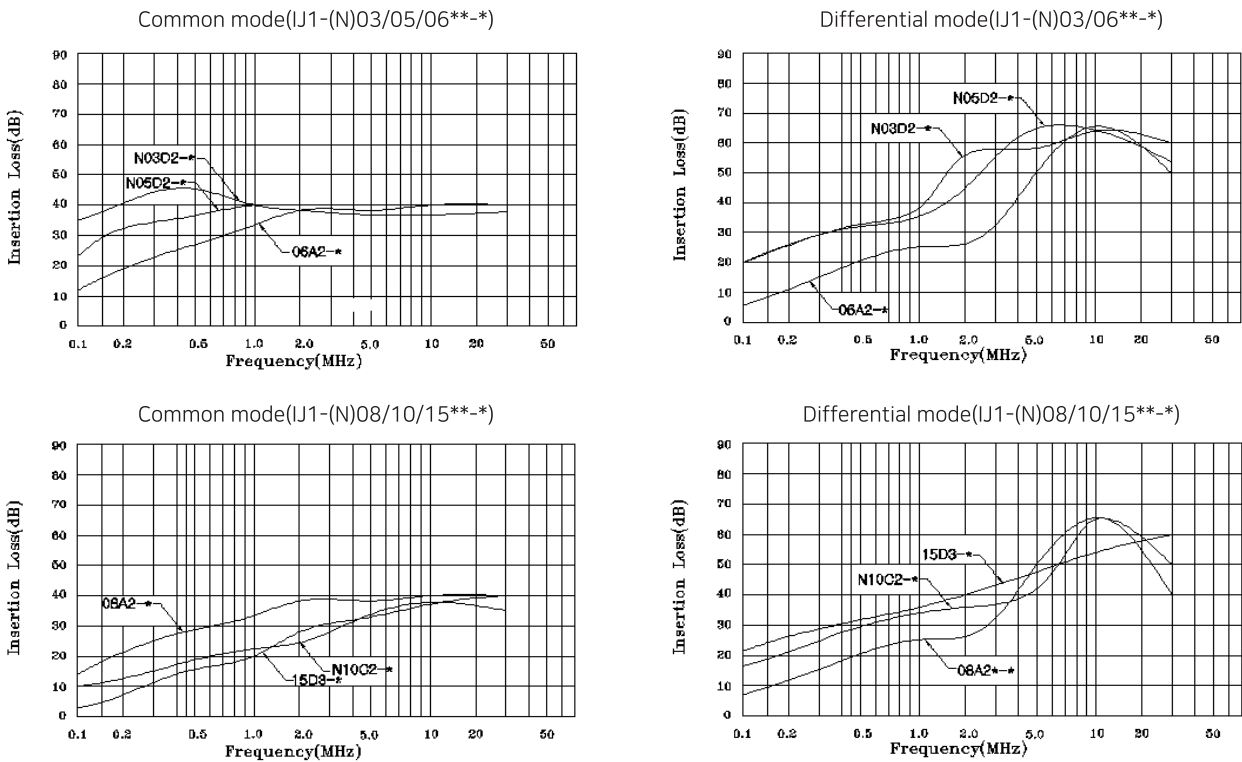
Model Number Construction

I	J1	N03	4	2	S
Input Connector I : IEC Connector	Special Design J1:Screw Mounting/ MetalCase	Current Rating : AC rms 03 : 3amp 06 : 6amp 08 : 8amp 10 : 10amp 15 : 15amp ("N" Highest permeability)	Line-Line Cap.Value (Input side) 2 : 0.022 μ F 3 : 0.033 μ F 4 : 0.047 μ F 6 : 0.068 μ F A : 0.1 μ F B : 0.15 μ F C : 0.22 μ F D : 0.33 μ F	Line-Gnd Cap.Value C : 330 pF D : 470 pF G : 680 pF E : 1000 pF 1 : 1500 pF 2 : 2200 pF 3 : 3300 pF 0 : None	Output Terminal S : Solder Lug H : Faston Tab #250

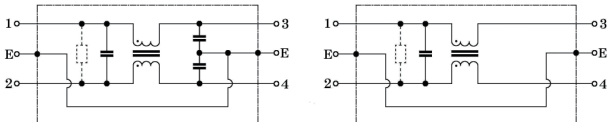
Shapes and Dimensions



Attenuation Characteristics



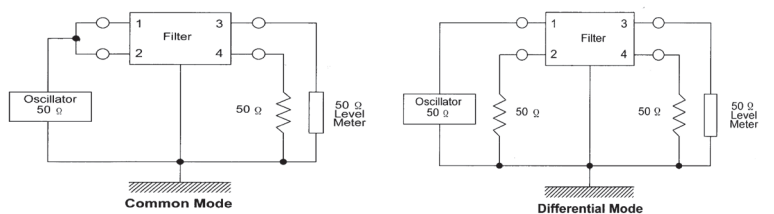
Circuit Diagram



IJ1-**** type

IJ1-***0 type

Measurement Configuration



Common mode

Differential mode